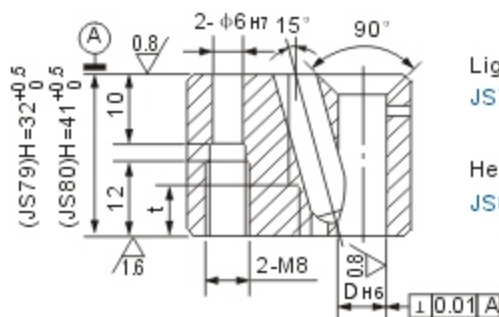
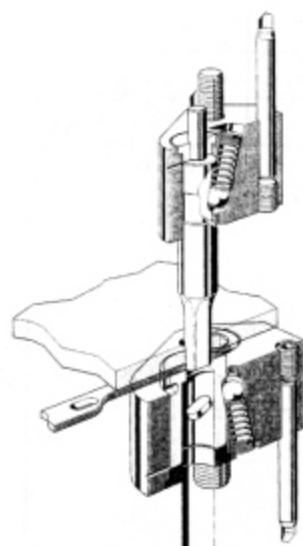
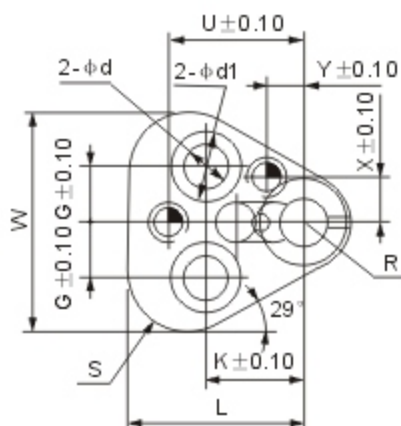


Ball Lock Retainer For Punches



Light Type:
JS79-Thickness 32

Heavy Type:
JS80-Thickness 41



Accessory	Q'TY
STEEL BALL	1
SPRING	1
SCREWS	2
DOWEL PIN	2
FIXED PLATE	1
SCREW CAP	2
TEMPLATE	1

Type: JS79 & JS80

Material: S45C - 1.1191 - Carbon Steel For Machinery Structures
(With Surface treatment Fe304)

Hardness: HRC42~50

TYPE NO.	D _{H6}	W	S	L	R	G	U	K	d	d1	t	X	Y	SD	
														JS79	JS80
JS79-10 JS80-10	10	43.7	12.0	35.0	9.5	11.1	26.93	19.05	9.0	14	10	9.0	7.5	8	10
JS79-13 JS80-13	13	50.0	15.2	38.1	12.7	14.3	29.97	19.05	9.0	14	10	12.0	6.5		
JS79-16 JS80-16	16	53.2	16.8	39.7	14.3	15.9	31.75	19.05	9.0	14	10	13.5	6.0		
JS79-20 JS80-20	20	59.5	20.0	42.8	17.5	17.5	33.75	19.05	11.0	17	12	16.5	5.0		
JS79-25 JS80-25	25	69.1	24.7	47.7	22.2	19.8	40.64	23.82	13.0	19	14	22.0	7.0		
JS79-32 JS80-32	32	69.1	24.7	47.7	22.2	19.8	40.64	23.82	13.0	19	14	22.0	7.0		
JS79-38 —	38	76.7	28.5	51.4	26.0	24.0	43.99	27.00	13.0	19	14	26.0	10.0		
— JS80-40	40	76.7	28.5	51.4	26.0	24.0	43.99	27.00	13.0	19	14	26.0	10.0		

*SD — STEEL BALL DIMENSION

Order Example:

■ Customize are also available