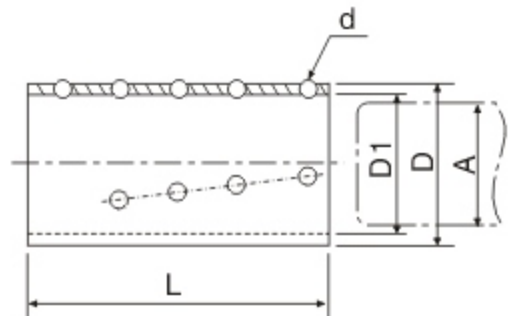




TYPE: JS74
(Aluminum)



TYPE: JS75
(Plastic)



Type: JS74 & JS75

Cage Material: JS74 - A6061 - Aluminum

JS75 - POM - Plastic

Steel Ball Material: SUJ2 - 1.3505 - High Carbon Chrome Bearing Steel
(JIS - Grade 10)

A	L	ϕD	$\phi D1$	ϕd
19	50	24.5	19.5	3
20	50	25.5	20.5	3
22	50	27.5	22.5	3
22	60	27.5	22.5	3
25	50	30.5	25.5	3
25	60	30.5	25.5	3
25	75	30.5	25.5	3
28	60	35.5	28.5	4
28	75	35.5	28.5	4
32	60	39.5	32.5	4
32	75	39.5	32.5	4
32	90	39.5	32.5	4
38	70	47.5	38.5	5
38	75	47.5	38.5	5
38	90	47.5	38.5	5
45	90	54.5	45.5	5
45	110	54.5	45.5	5
50	90	59.5	50.5	5
50	110	59.5	50.5	5
60	90	69.5	60.5	5
60	100	69.5	60.5	5
60	110	69.5	60.5	5

Order Example: Type - A - L
JS74 - 20 - 50

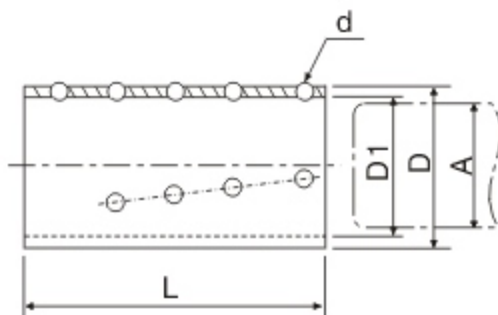
■ Customize are also available



TYPE: JS76
(Aluminum)



TYPE: JS77
(Plastic)



Type: JS76 & JS77

Cage Material: JS76 - A6061 - Aluminum

JS77 - POM - Plastic

Steel Ball Material: SUJ2 - 1.3505 - High Carbon Chrome Bearing Steel
(JIS - Grade 10)

Characteristic: Steel ball quantity increase twice higher than JS74 & JS75

A	L										φ D	φ D1	φ d
	25	30	35	40	45	50	60	75	90	110			
10	●	●	●								13.7	10.3	2
13	●	●	●								16.7	13.3	
16		●	●	●							19.7	16.3	
20		●	●	●	●	●					25.5	20.5	3
22						●	●				27.5	22.5	
25			●	●	●	●	●	●			30.5	25.5	
28							●	●			35.5	28.5	4
32								●	●		39.5	32.5	
38								●	●		47.5	38.5	5
45									●	●	54.5	45.5	
50									●	●	59.5	50.5	
60									●	●	69.5	60.5	

Order Example: Type - A - L
JS76 - 20 - 50

■ Customize are also available