

Type: JC39

Material: CK45 Black Oxidized Coating + Bronze Graphite Slide

φD	φd	φD1	A	B	C	E	F	MJ	H	H1	H2	H3	H4	L	L1	W	W1	W2	P1	P2	MK	φN	Stroke
8	7	4.5	11	20	8	10	7	M4	22	12.5	5	11	7	32	20	33	30	19	24	20	M3	3	10
10	7	5.5	15	25	10	12.5	8	M5	27	15.5	5	15	8	45	25	45	40	25	32	30	M4	4	18
12	10	7	17	25	12	15	11	M6	32	18	7	16	10	50	30	57	51	31	39	35	M6	6	20
16	12	9	22	30	16	15	14.5	M8	36	20	8	20	10	65	40	65	58	38	46	40	M6	6	25
20	14	11	26	40	20	16	18	M10	42	23	11	22	12	80	50	80	72	44	56	55	M8	8	30
25	16	14	32	45	25	17	22.5	M12	50	28	15	26	15	90	55	93	85	52	66	65	M10	10	35
30	18	14	38	50	30	17	27	M12	55	30	15	30	15	100	60	101	93	60	74	70	M10	10	40
35	20	14	45	60	35	18	32	M12	62	35	15	34	18	120	75	120	110	70	85	80	M12	10	45
40	25	18	55	70	40	19	36	M16	70	40	15	44	18	135	85	130	120	80	95	90	M12	10	50
45	30	18	60	80	45	24	40	M16	80	45	15	50	20	150	95	140	130	90	105	110	M12	10	55

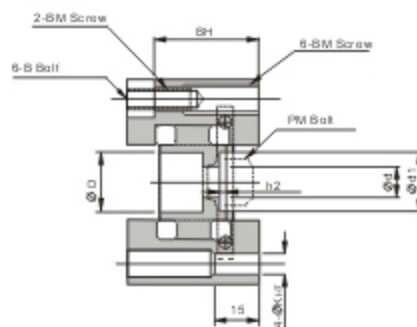
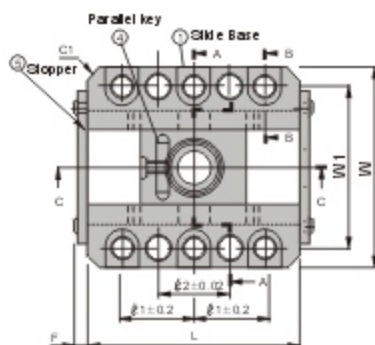
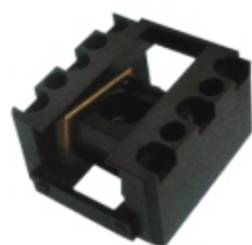
Accessory parts

No.	Description	Quantity	Material
1	Slide base	1	S50C
2	Upper plate	2	S50C
3	Pin holder	1	S50C
4	Slide plate	2	HBsC4+Graphite
5	Anti-tum pin	1	SCM435
6	Socket head screw	4	SCM435

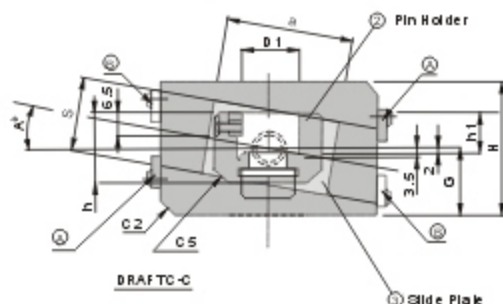
Order Example: -
 -

■ Customize are also available

Inclined Core Unit (Fixed Type) - Regular



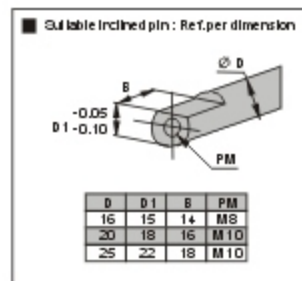
DRAFT A-A



DRAFT C-C



DRAFT B-B



Type: JC40

Material: CK45 Black Oxidized Coating + Bronze Graphite Slide

※ (A) (B) Mark the position for stopper, please refer to A.

Catalog No.		A°	W	W1	L	L1	L2	H	G	h1	a	S	B
Type	D												
JC40	16	0°~10°	56	46	65	25	25	36	18	11	40	20	M6
	20		64	52	70	25	25	40	20	13	40	24	M6
	25		71	59	80	30	30	45	22.5	15	45	26	M6

Catalog No.		BH	BM	K	D1	d	d1	h2	C1	C2	F	Position for Stopper	
Type	D											(A)	(B)
JC40	16	29.5	M8	6	15	9	16	3	4	-	4.65	0°~10°	—
	20	33.5	M8	8	18	11	20	5.5	3	4		3°~10°	0°~2°
	25	38.5	M8	8	22	11	20	5.5	5	5		4°~10°	0°~3°

Accessory parts

No.	Description	Quantity	Material
1	Slide Base	2	S50C
2	Pin Holder	1	SCM440
3	Slide Plate	2	CAC304+Graphite
4	Parallel Key	1	S45C
5	Stopper	2	SS400

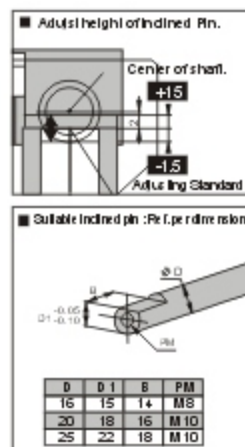
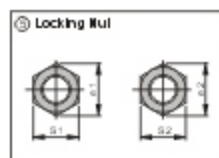
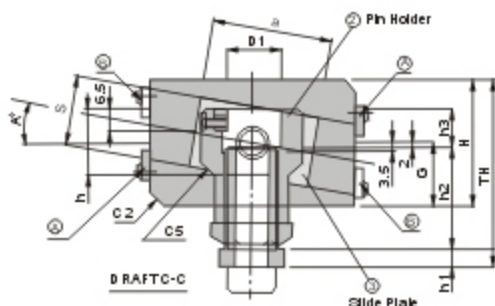
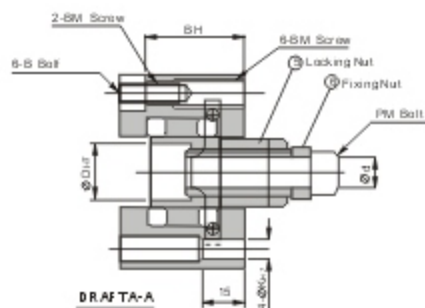
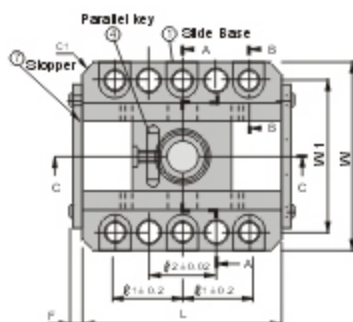
Features: 1. Smoothly move during operation.

2. move within μ , reduce worn-out of track and slide plate.

Order Example: - -
 - -

■ Customize are also available

Inclined Core Unit (Adjustable Type) - Regular



Type: JC41

Material: CK45 Black Oxidized Coating + Bronze Graphite Slide

※ (A) (B) Mark the position for stopper, please refer to A°.

Catalog No.		A°	W	W1	L	l1	l2	H	h1	h2	TH	G	h3	a	S
Type	D														
JC41	16	0°~10°	56	46	65	25	25	36	6	33	59	18	11	40	20
	20		64	52	70	25	25	40	6	36	64	20	13	40	24
	25		71	59	80	30	30	45	6	39	69.5	22.5	15	45	26

Catalog No.		S1	e1	S2	e2	B	BH	BM	K	D1	d	C1	C2	F	Position for Stopper	
Type	D														(A)	(B)
JC41	16	21	24.2	16	18.5	M6	29.5	M8	6	15	9	4	-	4.65	0°~10°	—
	20	24	27.7	19	21.9	M6	33.5	M8	8	18	11	3	4		3°~10°	0°~2°
	25	24	27.7	19	21.9	M6	38.5	M8	8	22	11	5	5		4°~10°	0°~3°

Accessory parts

No.	Description	Quantity	Material
1	Slide Base	2	S50C
2	Pin Holder	1	SCM440
3	Slide Plate	2	CAC304+Graphite
4	Parallel Key	1	S45C
5	Lock Nut	1	S45C
6	Adjusting Rod	1	S45C
7	Stopper	2	SS400

Features: 1. Self-alignment function

It is an undercut disposal of slant pin-holders unit with an undercut angle to be various by a swivel function for inclined pins.

2. Durability improvement of a slide surface

It is superior in wear proof or seizing resistance to adopt an oilless bearing to a slide plate.

3. Substantiality of the series

It is level, angulation and inclined pin full length and no adjustment types plans substantiality of these series.

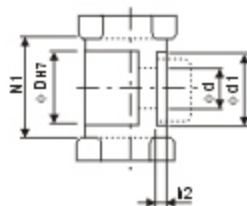
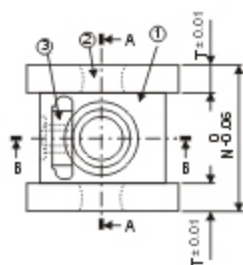
Order Example: Type - D - A°
JC41 - 16 - 2°

Customize are also available

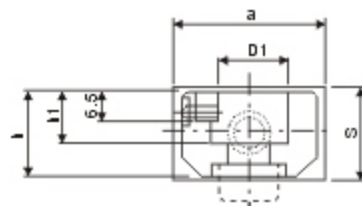
Inclined Pin Holder



(Fixed Type)



DRAFT A-A



DRAFT B-B

Item	Accessory Parts	Material	Quantity
1	Inclined Pin Holder	SCM440	1
2	Slide Plate	CAC304+Graphite	2
3	Parallel Key	S45C	1

Type: JC42

Material: SCM440 Black Oxidized Coating + Bronze Graphite Slide

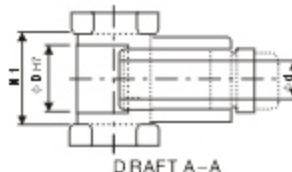
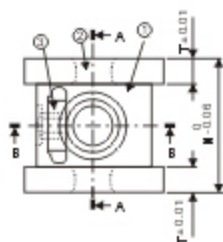
D	D1	d	h	h1	h2	h3	N	N1	S	a	T
12	11	5.5	16	6	33	10	30	17	20	35	6.5
16	15	9	18	6	33	11	33	20	20	40	6.5
20	18	11	22	6	36	13	38	25	24	40	6.5
25	22	11	26	6	39	15	45	31	26	45	7
30	27.5	11	30	6	41	17	51	36	30	55	7.5

Order Example: Type - D
JC42 - 12

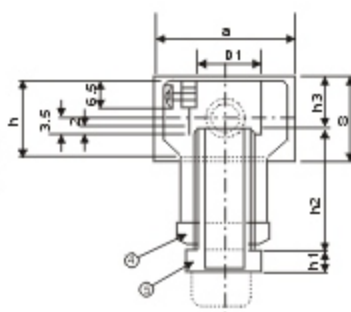
Customize are also available



(Adjustable Type)



DRAFT A-A

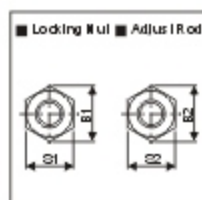
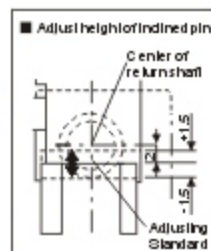


DRAFT B-B

Type: JC43

Material: SCM440 Black Oxidized Coating + Bronze Graphite Slide

Item	Accessory Parts	Material	Quantity
1	Inclined Pin Holder	SCM440	1
2	Slide Plate	CAC304+Graphite	2
3	Parallel Key	S45C	1
4	Locking Nut	S45C	1
5	Adjust Rod	S45C	1



D	D1	d	h	h1	h2	h3	N	N1	S	a	T	S1	e1	S2	e2
12	11	5.5	16	6	33	10	30	17	20	35	6.5	17	19.6	12	13.9
16	15	9	18	6	33	11	33	20	20	40	6.5	21	24.2	16	18.5
20	18	11	22	6	36	13	38	25	24	40	6.5	24	27.7	19	21.9
25	22	11	26	6	39	15	45	31	26	45	7	24	27.7	19	21.9
30	27.5	11	30	6	41	17	51	36	30	55	7.5	24	27.7	19	21.9

Order Example: Type - D
JC43 - 12

Customize are also available