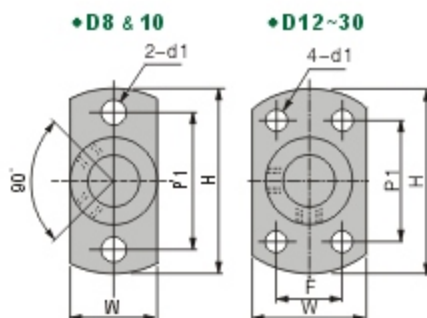




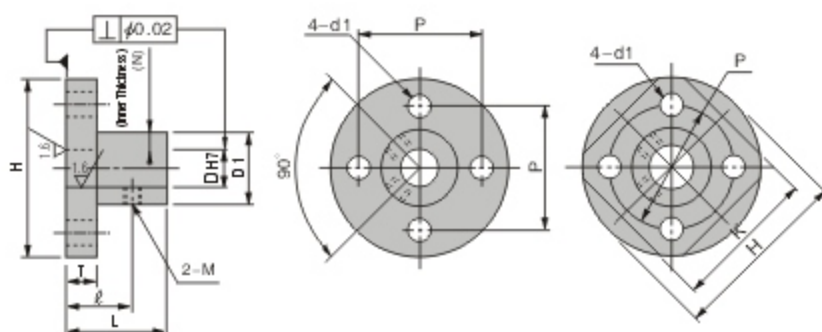
TYPE: JFA07
(Round)



TYPE: JFA08
(Square)



TYPE: JFA09
(Compact)



Type: JFA07~JFA09

Material: SS400 - Rolled Steel for general construction

Surface Treatment: Black Oxidized & Electrolyze nickel plating by option

DH7		Inner Thickness (N)	L	D1	H	T	ℓ	M Rough Thread	P	K	W	P1	F	D1	Q	K
8	+0.015 0	3.5	16	15	32	5	10	M3	25	25	15	25	-	3.5	-	-
10		5	20	20	38	5	12		30	30	20	30		4.5		
12	+0.018 0	5	24	22	40	6	15	M4	32	32	25	28	16	4.5	4	32
16		6	32	28	50	6	19		40	39	32	33	22	5.5	5	39
20	+0.021 0	7.5	32	35	63	8	20	M5	50	48	40	42	25	6.6	5	48
25		7.5	38	40	68	8	23		55	53	45	45	30	6.6	6	53
30		7.5	38	45	73	10	24		60	58	50	48	35	6.6	6	58

Order Example: - -

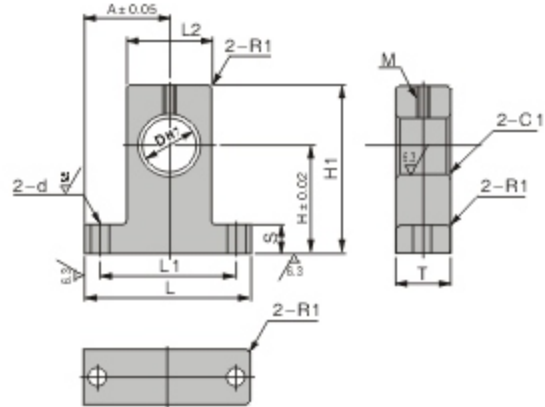
- -

■ Customize are also available

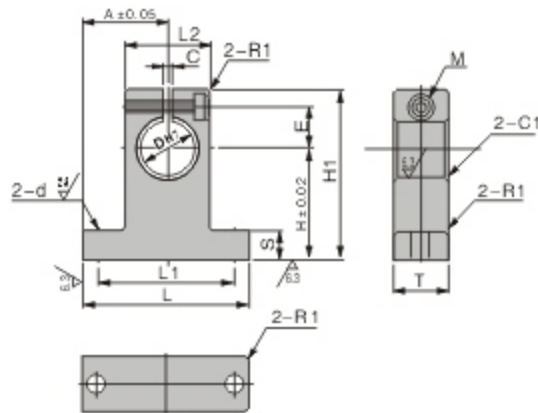
Shaft Holder - T Shaped



**TYPE: JFA10
(Regular)**



**TYPE: JFA11
(Upper Seam)**



Type: JFA10 & JFA11

Material: S45C - 1.1191 Carbon Steel for machinery structures

Surface Treatment: Black Oxidized & Electrolyze nickel plating by option

Type	D	H	L	H1	T	L1	d	L2	A	S	(Thread) M	
JFA10	8	15		24	10	32	5.5	18	21	6	M4	
	10		30	20								
	12	20	42	32				25				24
	13			32								
	16	25	48	40		38		25	24	8		M6
	20		60	43	16	45	6.6	30	30	10		
	25	30	70	48				56	35	35		
30		84	53	20	64	9	44	42	12			

Type	D	H	L	H1	T	L1	d	L2	A	S	E	C	(Thread) M	
JFA11	3												M4	
	4													
	5													
	6	20		32.8	14	32		18	21	6	7.8	2		
	8		42											
	10							5.5						
	12													
	13	23		37.5					20			9.5		
	15													
	16	27	48	44	16	38			25	24	8	12		
	18													
	20	31	60	51	20	45			30	30	10	14		
								6.6						2.5
	25	30		70	55	24	56		38	35	12	17		
		35			60									
	30	42	84	70	28	64	9	44	42			21		
	35	50	98	82	32	74	11	50	49	15		24		
40	60	114	96	36	80		60	57			27			
50	70	126	120	40	100	14	74	63	18	38				

Order Example: - -
 - -

■ Customize are also available

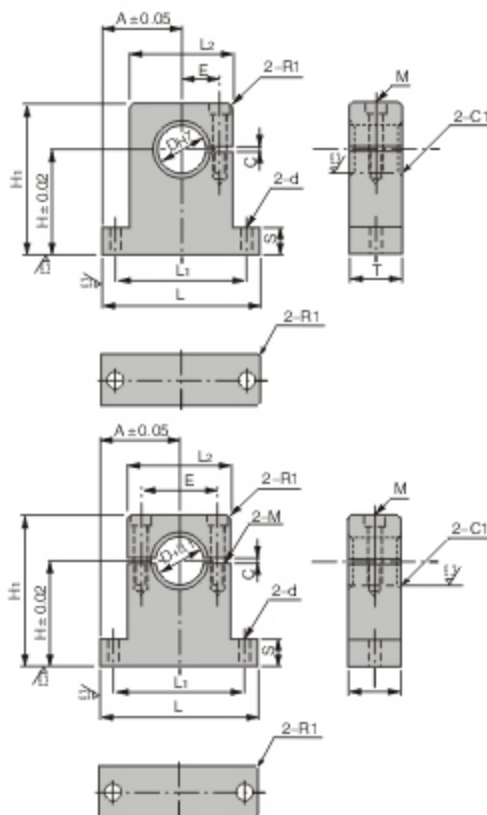
Shaft Holder - T Shaped With Side Seam



TYPE: JFA12
(Single Side Seam)



TYPE: JFA13
(Double Side Seam)



Type: JFA 12 & JFA 13

Material: S45C - 1.1191 - Carbon Steel for machinery structures

Surface Treatment: Black Oxidized & Electrolyze nickel plating by option

Type	D	H	L	H1	T	L1	d	L2	A	S	E	C	(Thread) M	
JFA 12	8	15	52	22	12	40	5.5	28	26	6	9	2	M4	
	10		54	29		42		30	27		10			
	12		56	31		44		32	28		11			
	13	20	58	37	16	64	6.5	49	39.5	8	12	3	M6	
	16										40			17
	20										45			18
	25	30	102	51	20	82	9	62	51	10	22	3	M8	
30	48										22			

Type	D	H	L	H1	T	L1	d	L2	A	S	E	C	(Thread) M	
JFA 13	8	15	52	22	12	40	5.5	28	26	6	18	2	M4	
	10		54	29		42		30	27		20			
	12		56	31		44		32	28		22			
	13	20	58	37	16	64	6.5	49	39.5	8	24	3	M6	
	16										40			24
	20										45			34
	25	30	102	51	20	82	9	62	51	10	44	3	M8	
30	48										44			

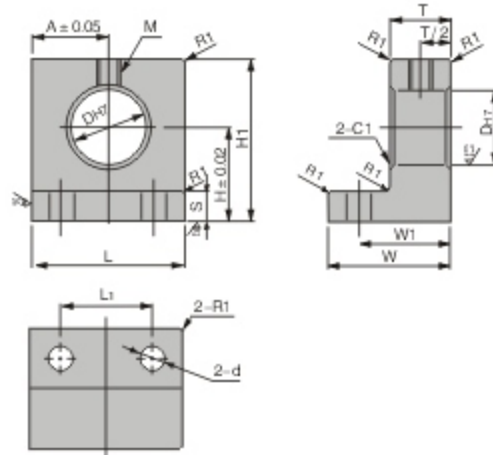
Order Example: - -
 - -

■ Customize are also available

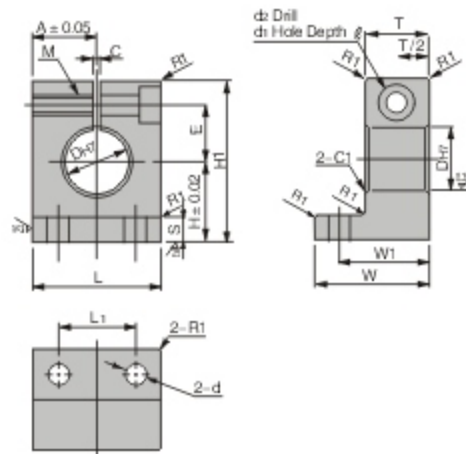
Shaft Holder - L Shaped



**TYPE: JFA14
(Regular)**



**TYPE: JFA15
(Upper Seam)**



Type: JFA14 & JFA15

Material: S45C - 1.1191 - Carbon Steel for machinery structures

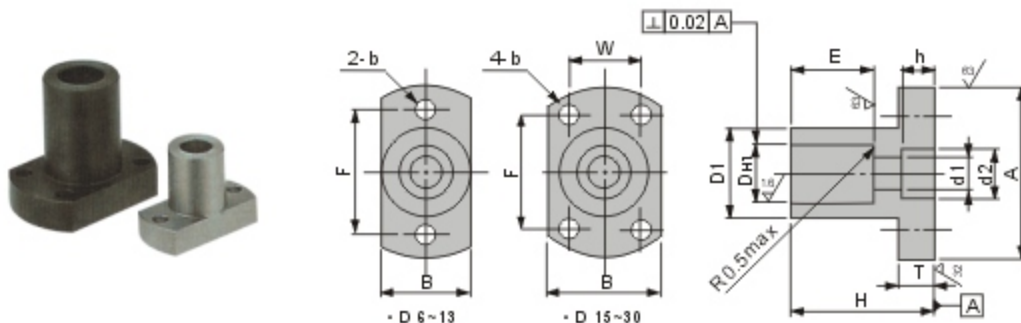
Surface Treatment: Black Oxidized & Electrolyze nickel plating by option

Type	D	H	L	H1	T	S	W	W1	A	L1	d	(Thread) M
JFA14	8	15	25	24	10	6	20	15	12.5	13	5.5	M4
	10	20		30								
	12	20		31								
	16	25	40	38		8	26	18	20	24	6.5	M6
	20	25		43								
	25	30		50								
30	30	50	53	12	10	30	20	25	30	9		

Type	D	H	L	H1	T	S	W	W1	A	L1	d	E	d2	d1	ℓ	C	(Thread) M
JFA15	8	15	25	31	12	6	22	17	12.5	15	5.5	11	4.5	8	4.5	2	M4
	10	20		36								13					
	12	20		38								15					
	16	25	30	45					15	6.5	6.5	11	6.5	3	M6		
	20	25	40	51					18								
	25	30	40	58					21								
30	30	50	63	20	10	40	30	25	30	9	24	9	14	9	3	M8	

Order Example: - -
 - -

■ Customize are also available



Type: JFA73

Material: S45C - 1.1191 - Carbon Steel for machinery structures

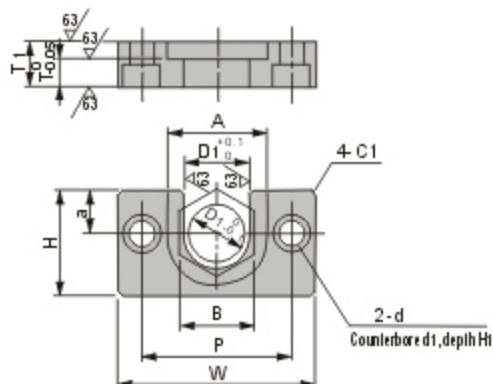
Surface Treatment: Black oxidized & Electrolyze nickel plating by option

DH7	A	B	H	D1	T	E	d1	d2	h	F	W	b	Bolts for Shaft · Post
6	28	12	16	12	5	9	3.5	6.5	3.5	20	-	3.5	M3
8	32	15	22	15		12	4.5	8	4.5	24	-	4.5	M4
10	38	18	26	18	8	15	5.5	9.5	5.5	30	-	5.5	M5
12	42	20	32	20		18	6.6	11	6.5	32	-		M6
13					15	9	14	9	32	20	M8		
15	48	32	40	25	10	23	9	14	9	32	20	6.6	M8
16						31	11	18	11	35	25		M10
20	55	38	50	30	15	38	14	20	14	45	35	9	M12
25	75	50	62	38		45	18	26	18	40	40		M16
30	80	55	75	45		45	18	26	18	40	40		

Order Example: - -

- -

■ Customize are also available



Type: JFA76

Material: S45C - 1.1191 - Carbon Steel for machinery structures

D	B	D1	A	T	T1	W	H	a	P	d	d1	H1
4	6	4.5	9	4	8	30	10	4	20	4.5	8	4.4
6	8	6.5	12			34	13	5	24			
7	10	8	14			36	15	6	26			
8	12	9	17	6	10	42	18	7	30	5.5	9.5	5.4
10	14	11	19		11	44	20	8	32			
13	17	14	23	8	13	52	24	10	38	6.6	11	6.5
16	21	18	28			56	30	12	42			
18	23	20	31	12	17	66	34	14	48	9	14	8.6
21	26	23	34			70	36	15	52			
25	30	27	38	15	21	84	43	19	62	11	17	10.5

Order Example: -
 -

■ Customize are also available