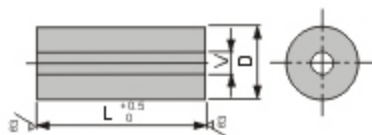


**TYPE: JFA70  
(With Hole)**



**TYPE: JFA71  
(Without Hole)**



### D Tolerance

D	Tolerance
6~40	±0.2
41~60	±0.3
61~100	±0.4

### V Tolerance

V	Tolerance
Below 30	±0.2
31~86	±0.5

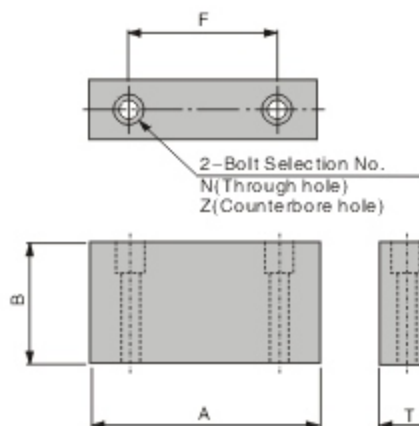
### Type: JFA70 & JFA71

Material: Polyurethane  
Hardness: Shore A95

1mm Increments			C Color Selection
D	L	V (Hole)	
6~15	10~300	2~11	N (Natural Color) B (Black)
16~30		4~26	
31~45		6~41	
46~60		6~56	
61~80		6~76	
81~100		6~86	

Order Example:  -  -  -  -   
 -  -  -  -

■ Customize are also available



Tolerance Table		
T Tolerance	6~9	Below 10
	±0.3	±0.5

### Type: JFA72

Material: Polyurethane

Hardness: Shore A95

1mm Increments				Bolt Selection No.
A	B	T	F	N(Through) · Z(Counterbore bolt)
25~150	25~100	6~30	9~141	0 3 4 5 6 8 10 12 (B < 30)
				0 5 6 8 10 12 (30 ≤ B < 50)
				0 10 12 (50 ≤ B)
(When without hole) N=0				

Hole matching detail							
N (Through)				Z (Counterbore bolt)			
No.	3	4	5	6	8	10	12
d	3.5	4.5	5.5	6.5	9	12	14
d1	6.5	8	9.5	11	14	17.5	20.5
h	3.5	4.5	5.5	6.5	9	11	14

Order Example:  -  -  -  -  -   
 -  -  -  -  -

■ Customize are also available