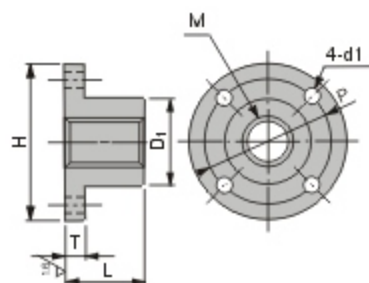
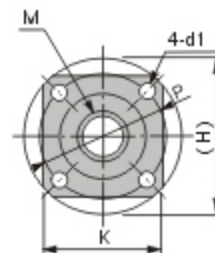




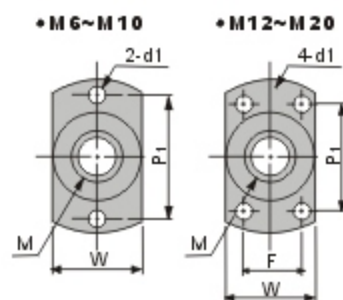
**TYPE: JFA61  
(Round)**



**TYPE: JFA62  
(Square)**



**TYPE: JFA63  
(Compact)**



**Type: JFA61 ~ JFA63**

Material: SS400 - Rolled Steel for general construction

Surface Treatment: Black oxidized & Electrolyze nickel plating by option

M	M×Pitch	L	D1	H	T	P	K	W	P1	F	d1
6	6×1.0	12	12	28	4	20	22	12	20	-	3.5
8	8×1.25	14	15	32	5	25	25	15	25		
10	10×1.5	18	20	38		30	30	20	30		
10A	10×1.25				32	32	25	28	16	4.5	
12	12×1.75	20	22	40	6	40	39	32	33		22
14A	14×1.5	22	26	50		50	48	40	42		25
16	16×2.0	26	28		53	50	48	40	42	25	
18A	18×1.5	30	32	53		8	50	48	40	42	25
20	20×2.5	32	35								

Order Example:  -  -   
 -  -

■ Customize are also available