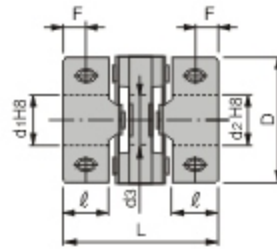


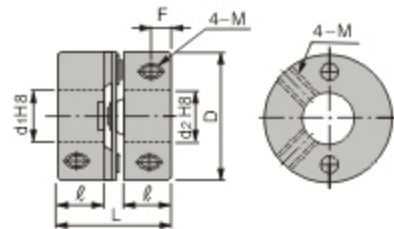
# Couplings - Regular Type -



**TYPE: JFA30**  
**(Standard Torque)**



**TYPE: JFA31**  
**(Standard Torque-Short)**



## Type: JFA30 & JFA31

Material for body: Aluminum Alloy - HD3With Electrolyze nickel plating  
Material for plate: Polyimid

Type	Dg6	d1, d2 selection with d1 = d2						d3	L	l	F	Set Screw	
		M	Tightening Torque (N·m)										
JFA30	10	2 3 4					4.1	15	4.2	2	2	0.3	
	13	3 4 5 6					5.5	19	5.5	2.5			
	16	4 5 6 6.35 7 8					6.8	23.2	7	3	3	0.7	
	20	4 5 6 6.35 7 8	10				8.1	26	7.5	3.7			
	25	5 6 6.35 7 8	9.53 10 11 12				10.4	30.2	9	4			
	32	6 6.35 7 8	9.53 10 11 12 14 16				15	41	12.4	6	4	1.7	
	40	8 9.53 10 11 12 14 16 18 20					19.5	47	15.5	7.8	5	4	
	50	14 16 18 20 22 24 25					25	53	18	9	6	7	

Type	Dg6	d1, d2 selection with d1 = d2						L	l	F	Set Screw	
		M	Tightening Torque (N·m)									
JFA31	10	2 3 4					10.5	4.2	2	2	0.3	
	13	3 4 5 6					13.5	5.5	3			
	16	4 5 6 6.35 7 8					16.5	7	3	3	0.7	
	20	4 5 6 6.35 7 8	10				18.4	7.5	4			
	25	5 6 6.35 7 8	9.53 10 11 12				21.6	9	4	4	1.7	
	32	6 6.35 7 8	9.53 10 11 12 14 16				29	12.4	6			
	40	8 9.53 10 11 12 14 16 18 20					35	15.5	7.8	5	4	
	50	14 16 18 20 22 24 25					41	18	9	6	7	

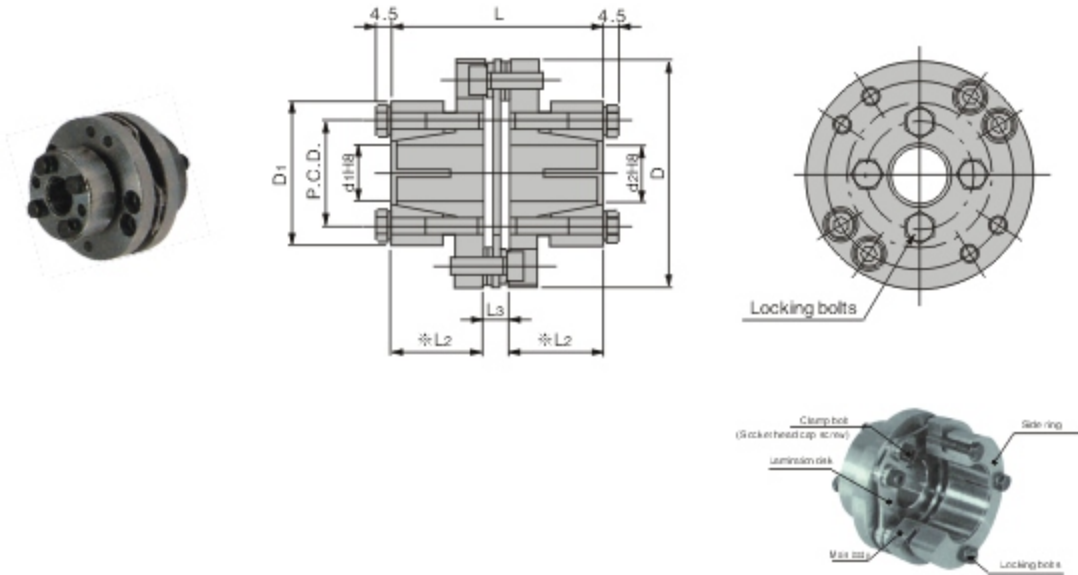
### DATA INFORMATION:

Catalog No.		Normal Torque (N·m)	Max. Torque (N·m)	Allowable Deviation (°)	Allowable Load (kg)	Set Torque Spring Constant (N/cm)	Max. Revolutions (min.)	Moment of Inertia (kg·m <sup>2</sup> )	Permissible End Play	Mass (g)
Type	D									
JFA30	10	0.15	0.3	3.5	0.3	21	26000	4.6 × 10 <sup>-6</sup>	±0.2	3
	13	0.25	0.5			44	20000	8.0 × 10 <sup>-6</sup>		5
	16	0.4	0.8			70	19000	2.4 × 10 <sup>-5</sup>		9
	20	0.6	1.2			130	18000	7.2 × 10 <sup>-5</sup>		14
	25	1.4	2.8			240	16000	2.2 × 10 <sup>-4</sup>		27
	32	2.6	5.2			560	12000	6.0 × 10 <sup>-4</sup>		60
	40	4.4	8.8			980	8000	1.7 × 10 <sup>-3</sup>		104
	50	7.0	14.0			1100	6000	4.6 × 10 <sup>-3</sup>		210

Catalog No.		Normal Torque (N·m)	Max. Torque (N·m)	Allowable Deviation (°)	Allowable Load (kg)	Set Torque Spring Constant (N/cm)	Max. Revolutions (min.)	Moment of Inertia (kg·m <sup>2</sup> )	Permissible End Play	Mass (g)
Type	D									
JFA31	10	0.15	0.3	2	0.1	27	26000	4.0 × 10 <sup>-6</sup>	±0.1	2
	13	0.25	0.5			60	20000	7.0 × 10 <sup>-6</sup>		4
	16	0.4	0.8			90	19000	2.0 × 10 <sup>-5</sup>		7
	20	0.6	1.2			170	18000	6.0 × 10 <sup>-5</sup>		11
	25	1.4	2.8			300	16000	1.8 × 10 <sup>-4</sup>		22
	32	2.6	5.2			700	12000	5.2 × 10 <sup>-4</sup>		50
	40	4.4	8.8			1200	8000	1.3 × 10 <sup>-3</sup>		85
	50	7.0	14.0			1450	6000	3.6 × 10 <sup>-3</sup>		170

Order Example:  -  -  -   
 -  -  -

■ Customize are also available



### Type: JFA32

Material for body: S45C - 1.1191 - Carbon steel for machinery structures  
 Material for plate: SUS301 - 1.6900 - Stainless steel

D	d1	d2	L3	D1	P.C.D	Locking Bolts		Clamp Bolts	
						Size	Tightening Torque (N · m)	Size	Tightening Torque (N · m)
65	15	15 16 18 20 22 24 25	7.5 (7.0)	41	29	M5×25	5.8	M5×16	7.8 (6.0)
	16			30					
	18			35					
	20			37	M5×22				
	22			42					
	24								
25									

Order Example: Type - d1 - d2  
 JFA32 - 15 - 18

■ Customize are also available