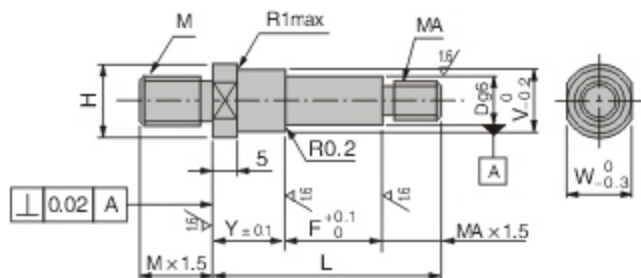


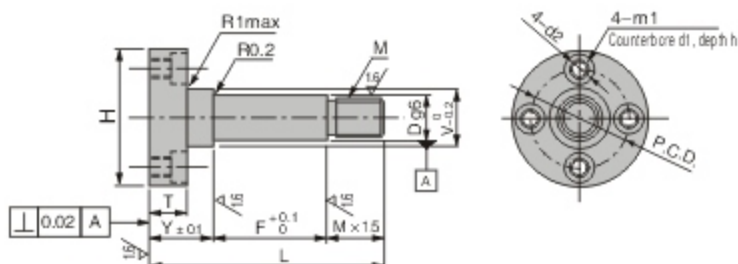
# Cantilever Pins



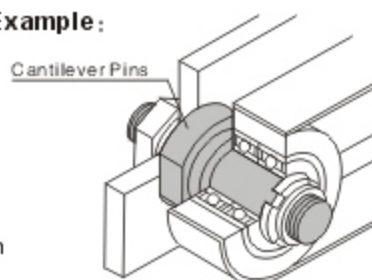
**TYPE: JFA27**  
(Regular)



**TYPE: JFA28**  
(With Head Counterbore)



## Example:



## Type: JFA27 & JFA28

Material: S45C - 1.1191 - Carbon Steel for machinery structures

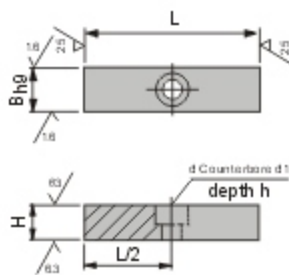
Surface Treatment: Black oxidized & Electrolyze nickel plating by option

| Type  | Dg6 | 1mm Increments |        | L                        | V            | H  | W  | M<br>(Coarse Thread) |     |
|-------|-----|----------------|--------|--------------------------|--------------|----|----|----------------------|-----|
|       |     | Y              | F      |                          |              |    |    |                      |     |
| JFA27 | 3   | 7~30           | 3~35   | 3                        | L=Y+F+MA×1.5 | 5  | 7  | 5                    | M3  |
|       | 4   |                |        | 3 4                      |              | 6  | 8  | 6                    | M4  |
|       | 5   |                |        | 3 4 5                    |              | 7  | 9  | 7                    | M5  |
|       | 6   | 7~60           | 5~100  | 4 5 6                    |              | 8  | 10 | 8                    | M6  |
|       | 8   |                |        | 5 6 8                    |              | 10 | 12 | 10                   | M8  |
|       | 10  |                |        | 6 8 10                   |              | 13 | 15 | 13                   | M10 |
|       | 12  |                |        | 6 8 10 12                |              | 15 | 17 | 14                   | M12 |
|       | 15  |                |        | 8 10 12 (15)             |              | 18 | 20 | 17                   |     |
|       | 20  |                |        | 10 12 (15) 16 20         |              | 24 | 23 | 24                   |     |
|       | 25  | 7~75           | 10~150 | 10 12 (15) 16 20 24 (25) |              | 29 | 31 | 27                   | M20 |
|       | 30  |                |        | 12 (15) 16 20 24 (25) 30 |              | 34 | 36 | 32                   |     |

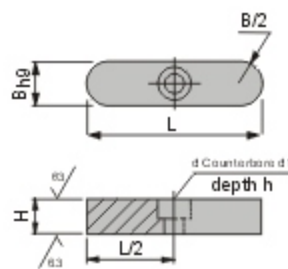
| Type  | Dg6 | 1mm Increments |        | L                        | V  | H  | T  | m1 | d1  | d2  | h   | P.C.D |
|-------|-----|----------------|--------|--------------------------|----|----|----|----|-----|-----|-----|-------|
|       |     | Y              | F      |                          |    |    |    |    |     |     |     |       |
| JFA28 | 6   | 12~60          | 5~100  | 4 5 6                    | 8  | 26 | 10 | M4 | 6.5 | 3.5 | 5.3 | 17    |
|       | 8   |                |        | 5 6 8                    | 10 | 28 |    |    |     |     |     | 19    |
|       | 10  |                |        | 6 8 10                   | 12 | 32 |    |    |     |     |     | 23    |
|       | 12  |                |        | 6 8 10 12                | 15 | 36 |    |    |     |     |     | 26    |
|       | 15  |                |        | 8 10 12 (15)             | 18 | 40 |    |    |     |     |     | 30    |
|       | 20  |                |        | 10 12 (15) 16 20         | 24 | 48 |    |    |     |     |     | 36    |
|       | 25  | 17~75          | 10~150 | 10 12 (15) 16 20 24 (25) | 29 | 54 | 15 | M6 | 9.5 | 5.2 | 5.4 | 42    |
|       | 30  |                |        | 12 (15) 16 20 24 (25) 30 | 34 | 62 | 49 |    |     |     |     |       |

Order Example:  -  -  -  -  -   
 -  -  -  -  -

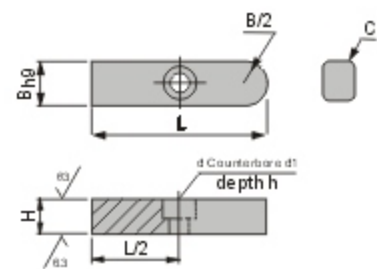
■ Customize are also available



TYPE: JFA64 & JFA65



TYPE: JFA66 & JFA67



TYPE: JFA68 & JFA69

### Type: JFA64 ~ JFA69

Material: JFA64, JFA66, JFA68: S45C - 1.1191 - Carbon Steel for machinery structures  
 JFA65, JFA67, JFA69: SUS316 - 1.4401 - Stainless Steel

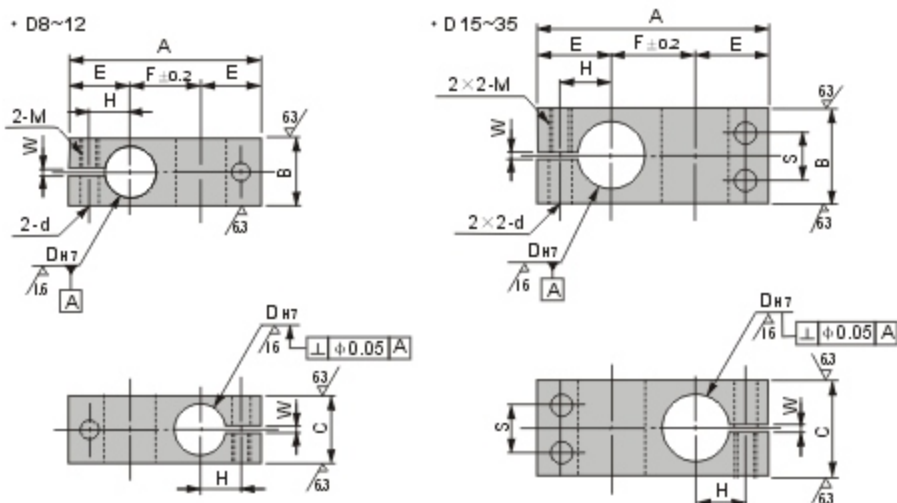
| Bh9 | L<br>5mm Increments | H Tolerance | d   | d1  | h   | C         |
|-----|---------------------|-------------|-----|-----|-----|-----------|
| 8   | 15~80               | 7           | 3.4 | 6   | 3.5 | 0.25~0.40 |
| 10  | 15~80               | 8           | 4.5 | 7.5 | 4.5 | 0.40~0.60 |
| 12  | 20~80               | 9           | 5.5 | 9.5 | 5.5 |           |
| 14  | 30~90               | 10          |     |     |     |           |
| 15  | 30~90               | 11          | 6.6 | 11  | 6.5 |           |
| 16  | 40~100              |             |     |     |     |           |
| 18  | 40~110              |             |     |     |     |           |

### Length Tolerance:

| L                    | Tolerance                                |
|----------------------|--|
| 15                   | $\begin{matrix} 0 \\ -0.18 \end{matrix}$ |
| 20 25 30             | $\begin{matrix} 0 \\ -0.21 \end{matrix}$ |
| 35 40 45 50          | $\begin{matrix} 0 \\ -0.25 \end{matrix}$ |
| 55 60 65 70 75 80    | $\begin{matrix} 0 \\ -0.30 \end{matrix}$ |
| 85 90 95 100 105 110 | $\begin{matrix} 0 \\ -0.35 \end{matrix}$ |

Order Example:  -  -   
 -  -

■ Customize are also available



### Type: JFA74 & JFA75

Material: JFA74 - SS400 - Rolled Steel for general construction

JFA75 - A6063 - Aluminum Alloy

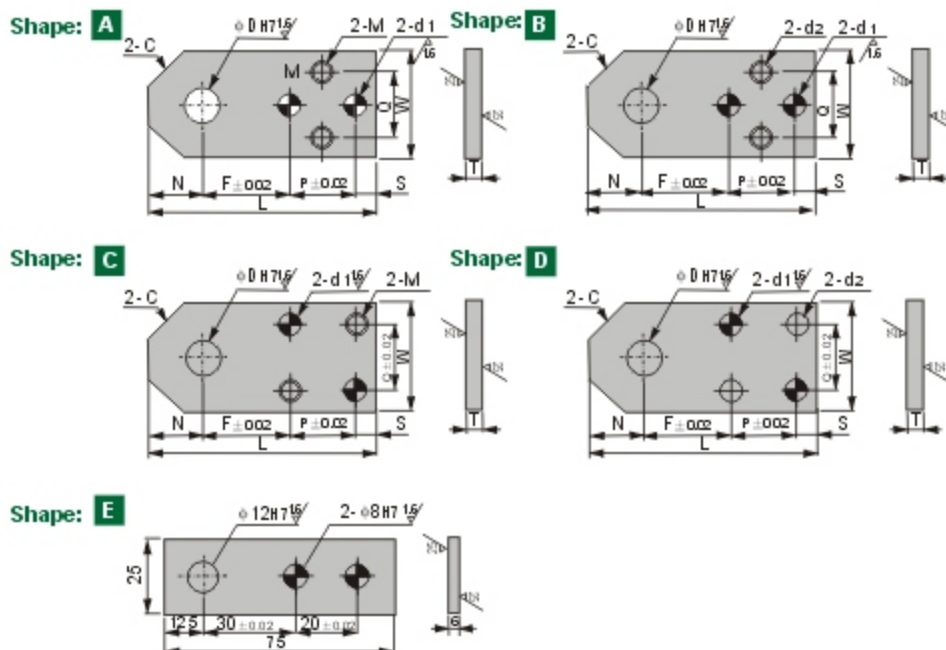
Surface Treatment: JFA74 - Black Oxidized

JFA75 - White anodic anodized

| DH7 |             | A   | B  | C  | E  | F  | H  | S  | M<br>(Coarse Thread) | d   | W |
|-----|-------------|-----|----|----|----|----|----|----|----------------------|-----|---|
| 8   | +0.015<br>0 | 41  | 12 | 12 | 14 | 13 | 8  | -  | M 5                  | 5.5 | 2 |
| 10  |             | 45  | 16 | 16 | 15 | 15 | 9  | -  |                      |     |   |
| 12  | 49          |     |    |    | 16 | 17 | 10 | -  |                      |     |   |
| 15  | +0.018<br>0 | 57  | 22 | 22 | 18 | 21 | 12 | 11 |                      |     |   |
| 20  | +0.021<br>0 | 69  | 28 | 28 | 22 | 25 | 15 | 14 | M 6                  | 6.6 |   |
| 25  |             | 83  | 32 | 32 | 25 | 33 | 18 | 16 |                      |     |   |
| 30  |             | 95  | 40 | 40 | 29 | 37 | 21 | 20 | M 8                  | 9   |   |
| 35  | +0.025<br>0 | 107 | 45 | 45 | 32 | 43 | 24 | 24 |                      |     |   |

Order Example:  -   
 -

■ Customize are also available



### Type: JFA87 & JFA88

Material: JFA87 - S45C - 1.1191 - Carbon Steel for machinery structures

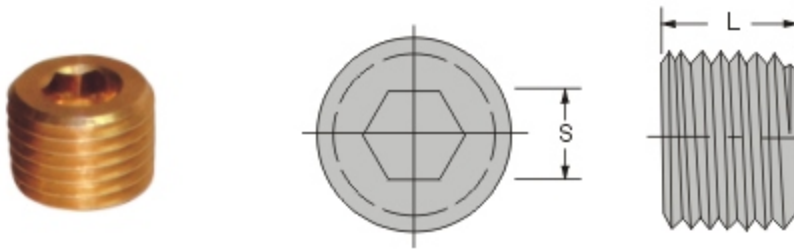
JFA86 - SU S304 - 1.4301 - Stainless Steel

Surface Treatment: Black oxidized & Electrolyze nickel plating by option

| Shape | DH7 | T Selection   | Imm Increments |       | N  | F         | W  | L   | C  | S  | d1 | d2  | M  |
|-------|-----|---------------|----------------|-------|----|-----------|----|-----|----|----|----|-----|----|
|       |     |               | P              | Q     |    |           |    |     |    |    |    |     |    |
| A     | 10  | 9<br>12<br>16 | 15~30          | 12~20 | 12 | F=L-N-P-S | 32 | 65  | 10 | 8  | 6  | 6.5 | 6  |
| B     | 12  |               | 20~35          | 20~25 | 16 |           | 38 | 75  |    | 10 | 10 | 8   | 9  |
| C     | 16  |               | 25~55          | 20~35 | 20 |           | 50 | 105 | 15 | 10 | 10 | 11  | 10 |
| D     | 20  |               |                |       |    |           |    |     |    |    |    |     |    |

Order Example:  -  -  -  -  -  -   
 -  -  -  -  -  -

■ Customize are also available



### Type: JFA89

Material: SCM435 - 1.7220 - Chrome Molybdenum Steel

Surface Treatment: Black oxidized

Hardness: HRC32~42 Through hardening

| Standard   | S      | L     | HEX SIZE | THREADS |
|------------|--------|-------|----------|---------|
| <b>U.S</b> | 1/8NPT | 0.250 | 3/16     | 27      |
|            | 1/4NPT | 0.406 | 1/4      | 18      |
|            | 3/8NPT | 0.406 | 5/16     | 18      |
|            | 1/2NPT | 0.531 | 3/8      | 14      |
|            | 3/4NPT | 0.531 | 9/16     | 14      |
|            | 1NPT   | 0.656 | 5/8      | 11 1/2  |

| Standard       | S     | L    | HEX SIZE | THREADS |
|----------------|-------|------|----------|---------|
| <b>British</b> | 1/8PT | 7.0  | 5.0      | 28.0    |
|                | 1/4PT | 8.9  | 6.0      | 19.0    |
|                | 3/8PT | 10.0 | 8.0      | 19.0    |
|                | 1/2PT | 12.0 | 10.0     | 14.0    |
|                | 3/4PT | 14.0 | 14.0     | 14.0    |
|                | 1PT   | 17.0 | 17.0     | 11.0    |

| Standard      | S       | L (LENGTH) | HEX SIZE |
|---------------|---------|------------|----------|
| <b>German</b> | M8*0.75 | 8.0        | 4.0      |
|               | M10*1   | 8.0        | 5.0      |
|               | M12/1.5 | 8.0        | 6.0      |
|               | M14*1.5 | 10.0       | 7.0      |

Order Example:  -  -  -   
 -  -  -

■ Customize are also available